

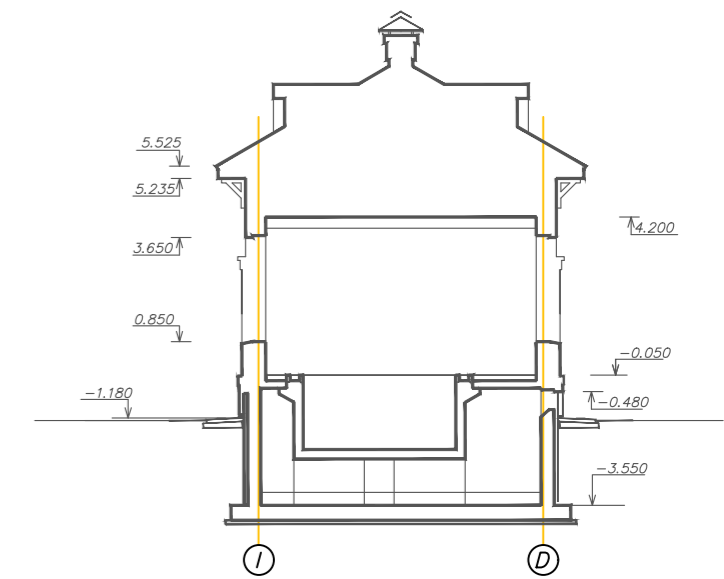
Facade 1-12



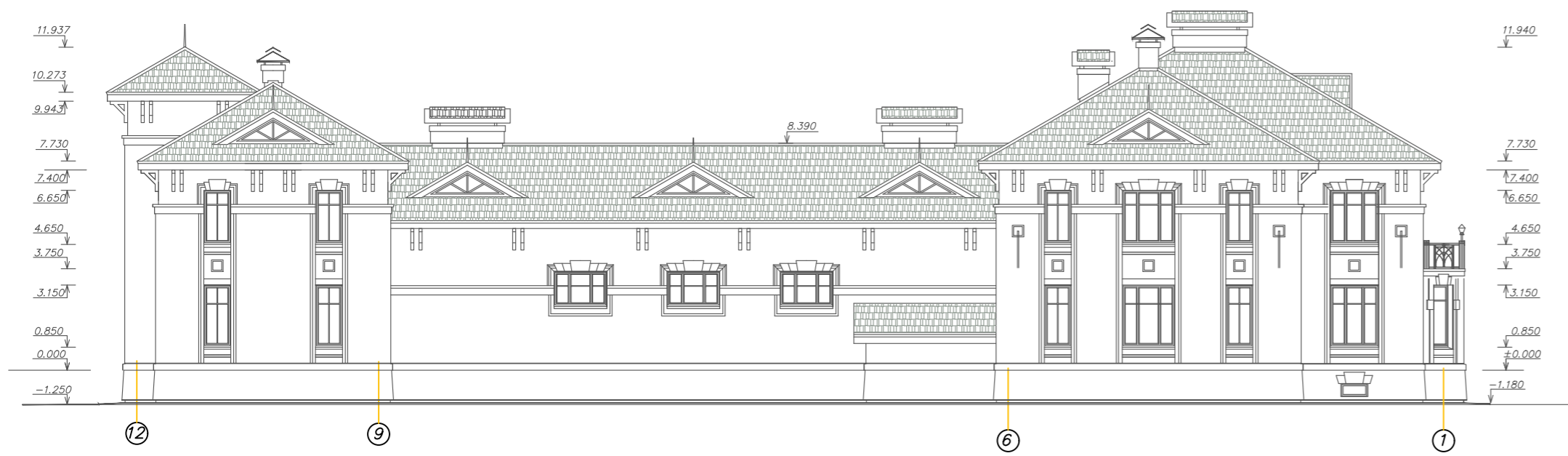
Facade A-G



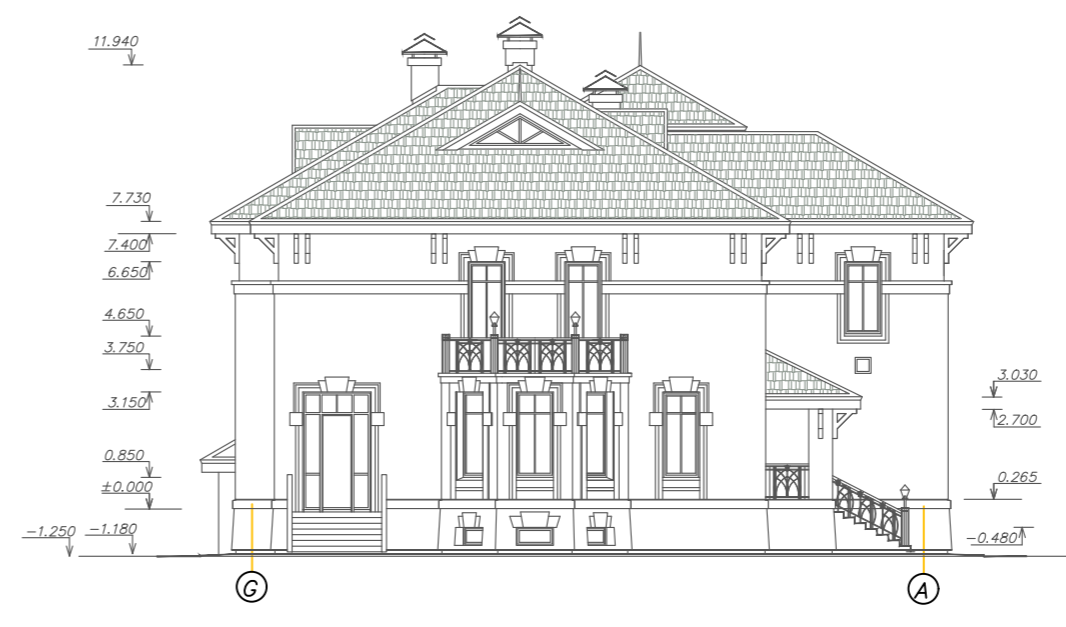
Section 2-2



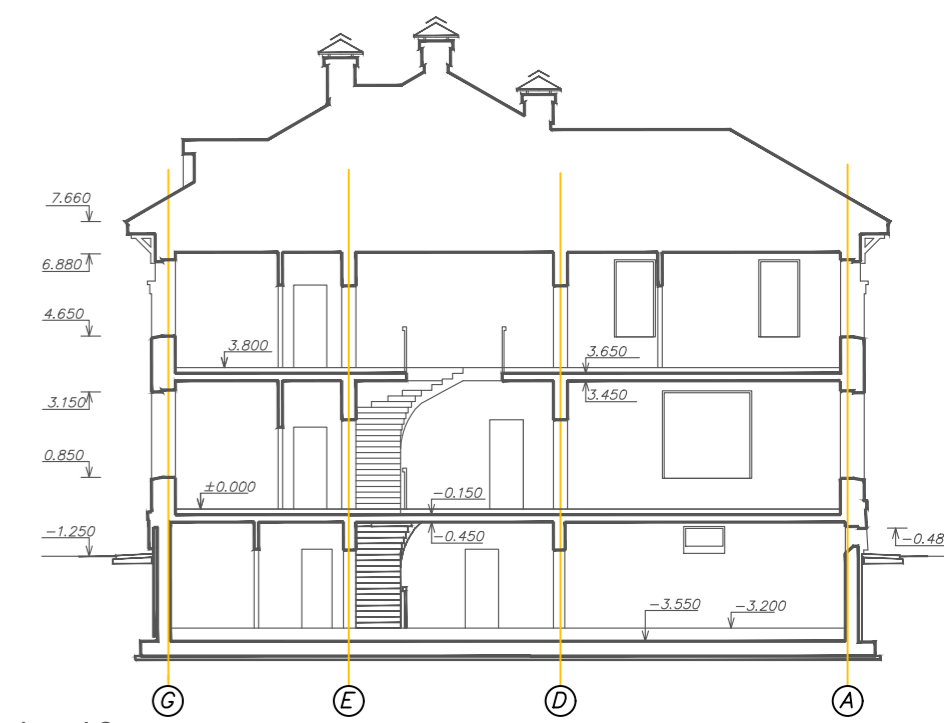
Facade 12-1



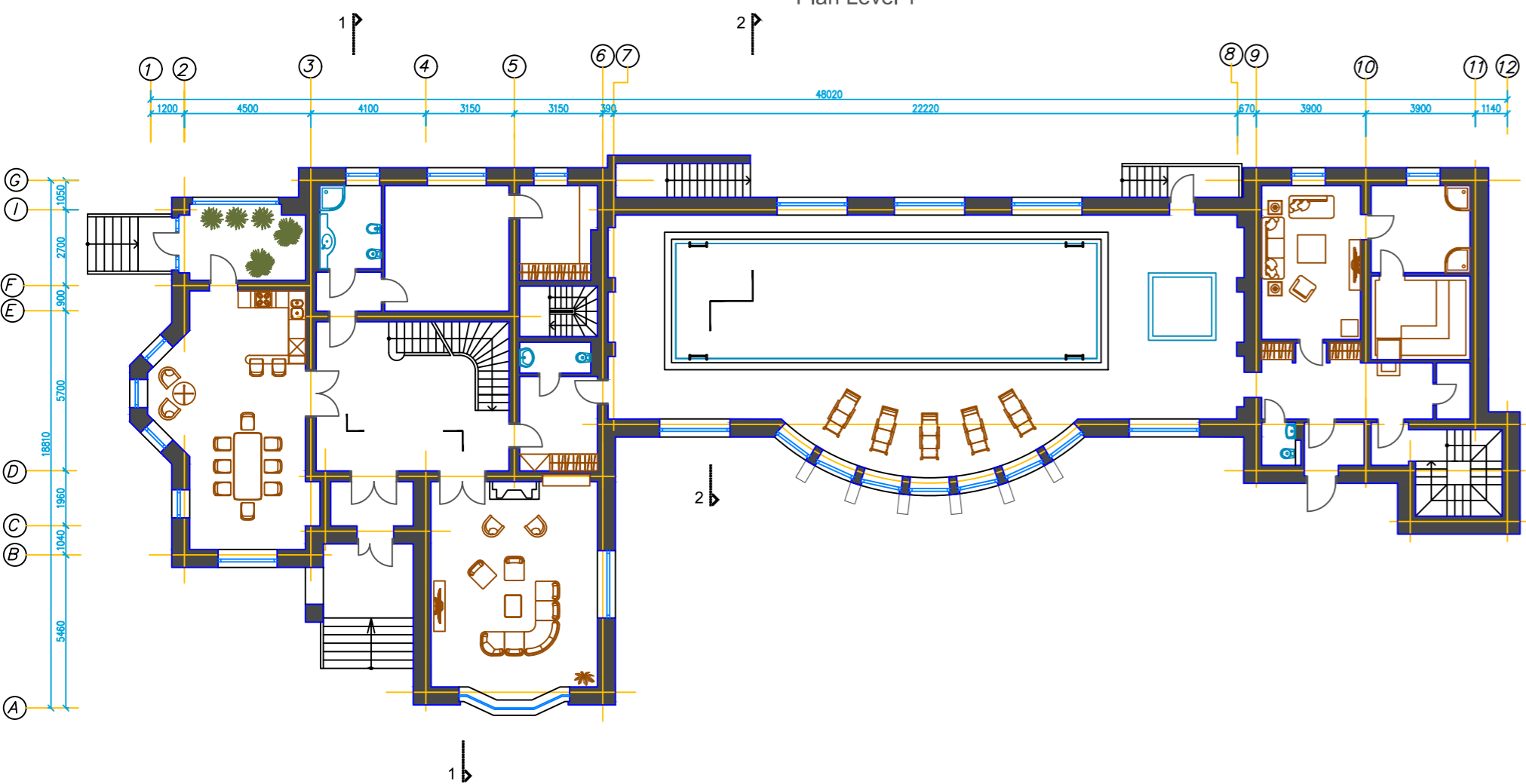
Facade G-A



Section 1-1



Plan Level 1



Plan Level 2

